

DG2204R/V-5.0

DEGSON'S PCB terminal blocks with **innovative Dual-Lever Spring** termination can connect various types of wires: solid, stranded and flexible.

- Dual-Lever Spring patented technology, easy and comfortable operation.
- Push-in spring connection, excellent anti-vibration performance, tool-free.
- Levers status is optional (open/close), suitable for multi-core cable.
- Test holes available, quick and convenient testing.
- Horizontal and vertical type.
- Printing on both top and side surface, easy identification.

Features

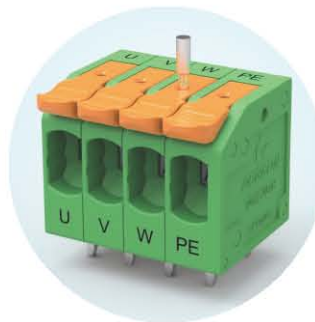
APPROVAL: **CE**



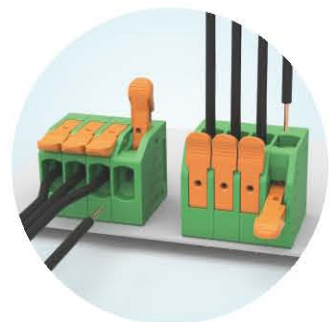
Dual-Lever Spring patented technology



Push-in spring connection



Test holes & Printing



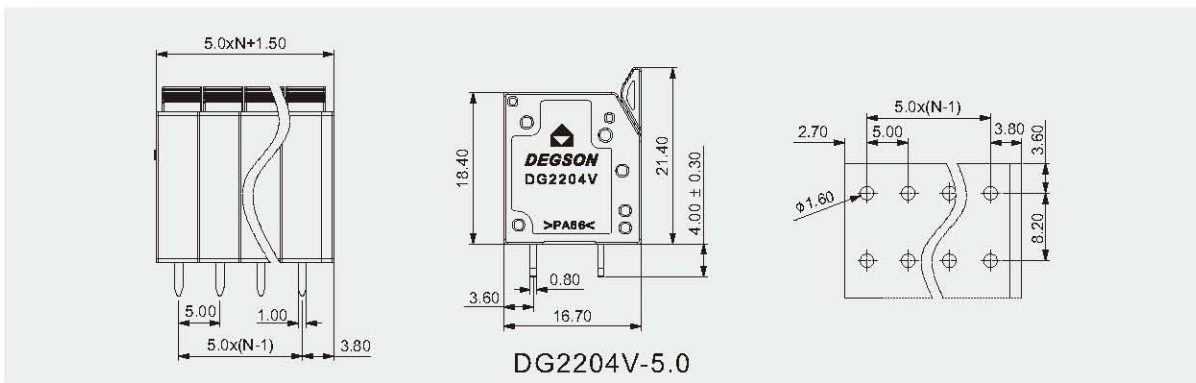
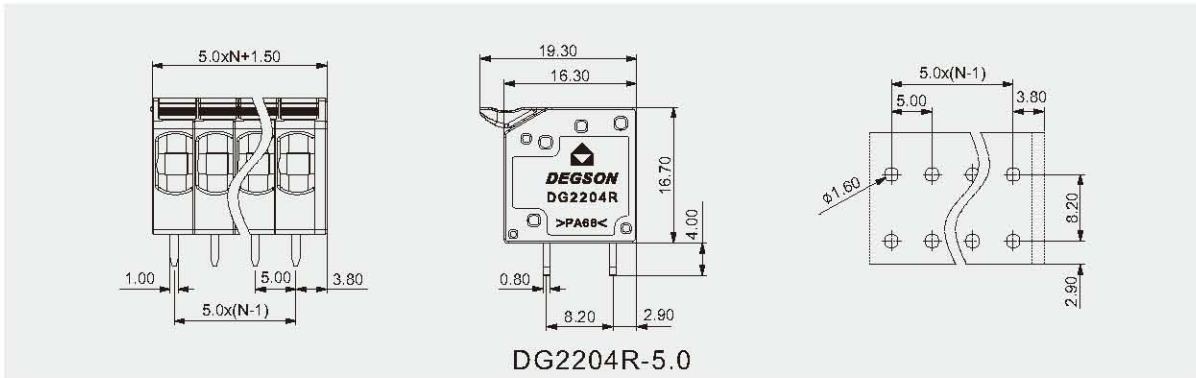
Two wiring angles

Application

Power supply, industrial automation, elevator, new energy, machinery, railway, lighting etc.



Drawing



Technical data

IEC60947 standard electrical parameters			
Overvoltage category / Degree of pollution	III/3	III/2	II/2
Rated voltage	320V	400V	630V
Rated surge voltage	4KV	4KV	4KV
Rated current	32A		
Cross section : Solid/Flexiable/Sfranded	0.2-4mm ²		
Cross section : Stranded/Flexiable	0.2-2.5mm ² (The ferrule with plastic sleeve)		
Cross section : Stranded/Flexiable	0.2-2.5mm ² (The ferrule without plastic sleeve)		
Cross section : Stranded/Flexiable	0.2-1.5mm ² (The TWIN ferrule with plastic sleeve)		
UL 1059 standard electrical parameters			
Use group	B	C	D
Rated voltage	300V	/	300V
Rated current	20A	/	10A
Cross section	24-12AWG		
Other information			
Pitch	5.0mm		
Stripping length	9-11mm		
Probe	∅ 1.0mm		
Insulating material	PA		
Flammability rating	UL94V-0		
Ambient temperature	- 40-105°C		
Poles	01-12P		
Soldering type	Wave soldering/manual soldering		

How to order

Series NO.	DG2204R/V-5.0	NO. of pole	0 2 P			Standard	0 0 A(H)
				1 Single pitch	2 Double pitch	General Color	
						4 Green	PANTONE 556C DEGSON 04